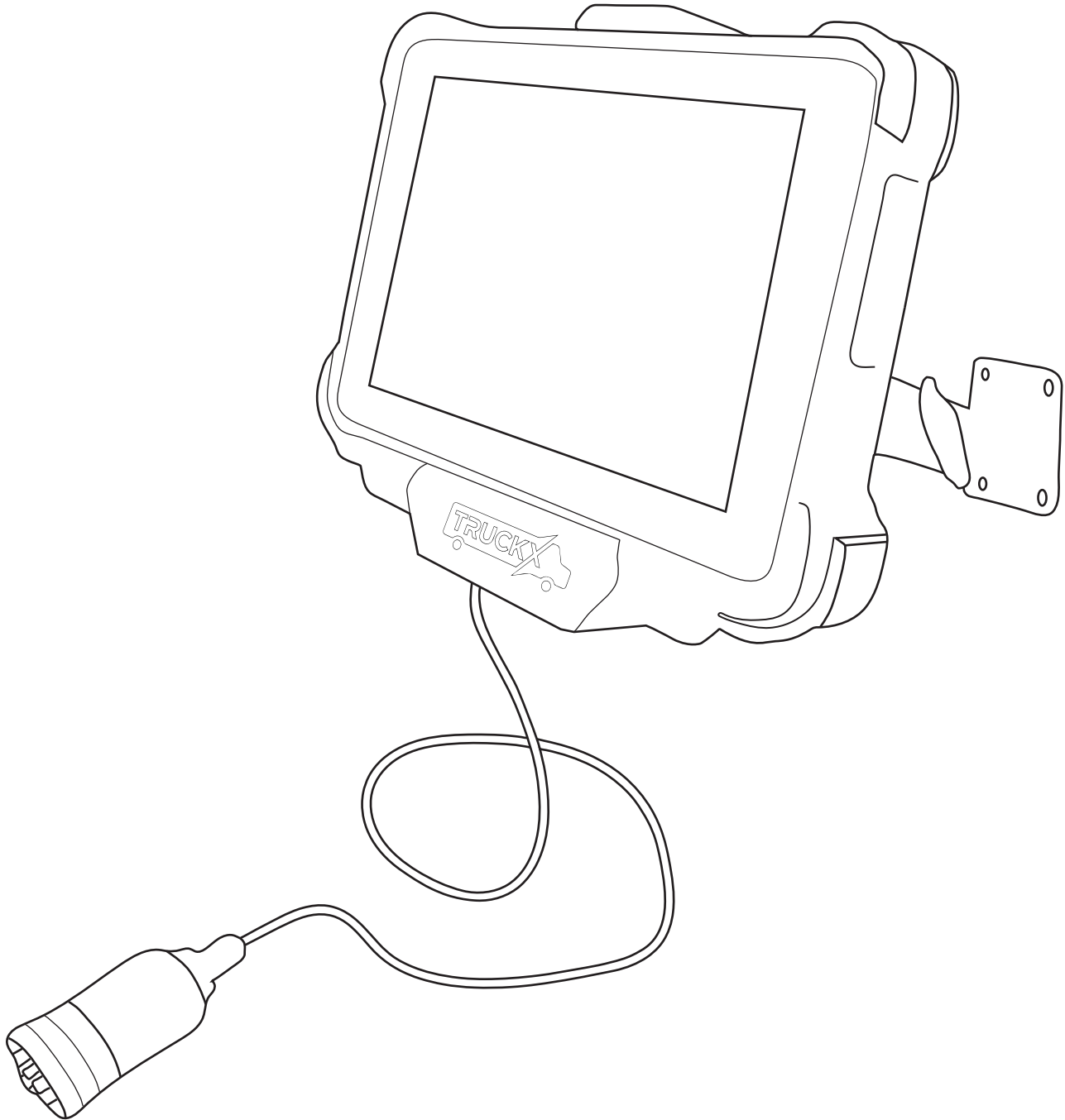




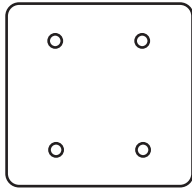
# TruckX Wired ELD Tablet

## Assembly Instruction

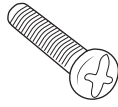


### Need Help?

Contact TruckX support at [support@truckx.com](mailto:support@truckx.com),  
+1(650) 600-0008, and live chat at [www.TruckX.com](http://www.TruckX.com)



Adapter Plate  
1x



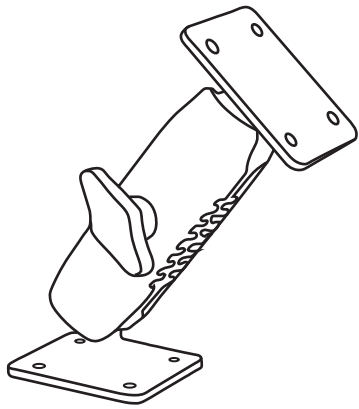
Long Screw  
4x



Short Screw  
4x

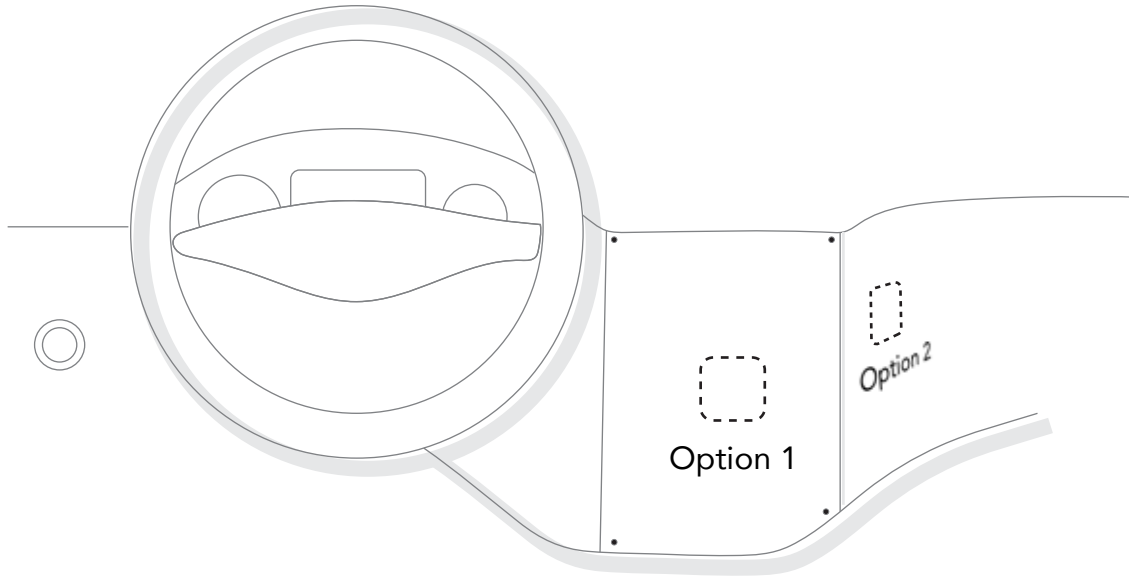


Nut for long screw  
4x

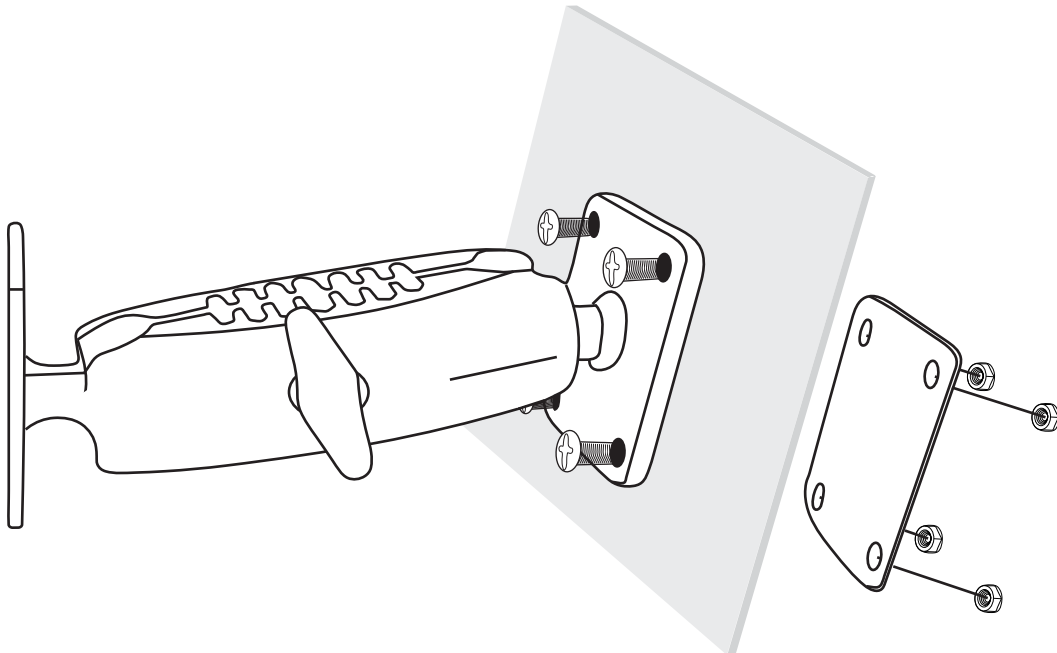


Mont Base Plate  
1x

- 1** Find a good spot on your truck dashboard to mont ELD tablet bracket.



- 2** Sandwich the Truck dashboard surface by using our mont base plate and adapter plate.



# 3

Install the ELD tablet and docking station to the mont.

