

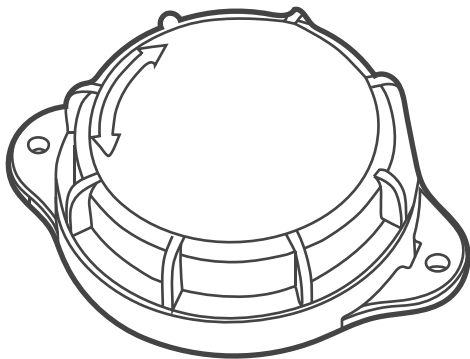


Model:TRX-THS1

TruckX Temperature & Humidity Sensor

Assembly Instruction

What's included:



Temperature & Humidity Sensor
1x



Screw
2x

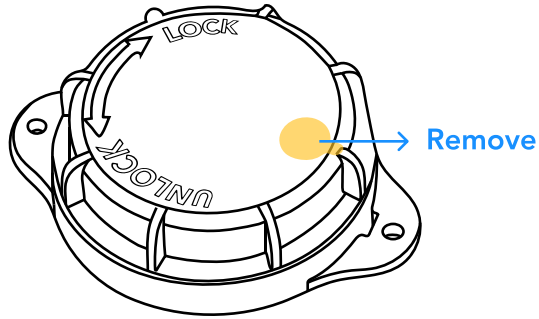


Double-sided mounting tape
1x

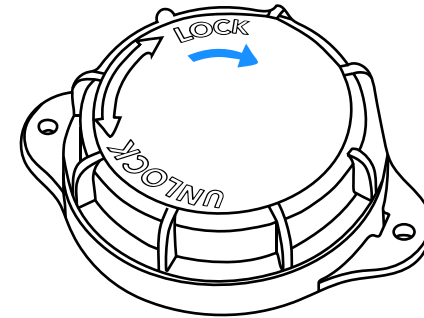
Need Help?

Contact TruckX support at support@truckx.com,
[+1\(650\) 600-0008](tel:+1650600008), and live chat at www.TruckX.com

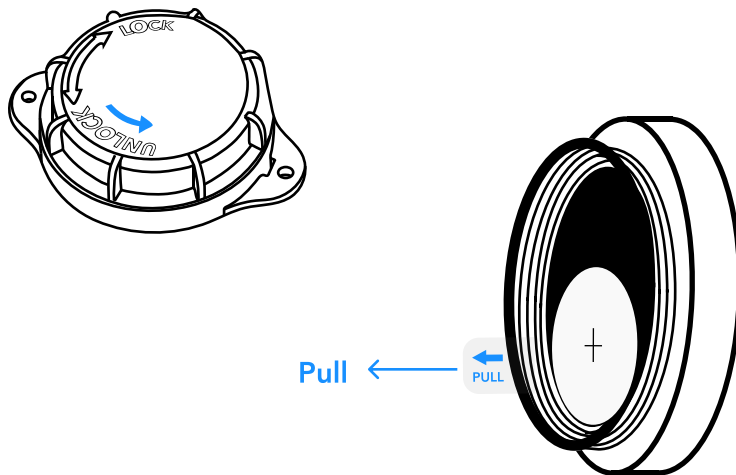
1 Remove the yellow sticker



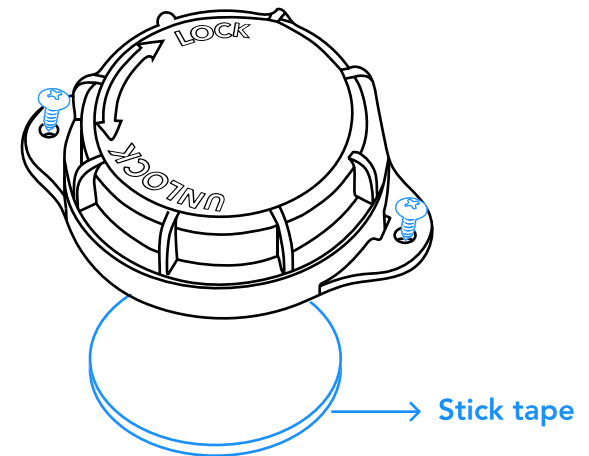
3 Close back case firmly to seal. There should a Red light blinking every 10-30 seconds



2 Rotate anti-clockwise to open and remove the battery plastic tag to start the sensor



4 Either Screw or Stick the sensor close to the roof of Trailer from Inside





Need Help?

Contact TruckX support at support@truckx.com,
[+1\(650\) 600-0008](tel:+16506000008), and live chat at www.TruckX.com