

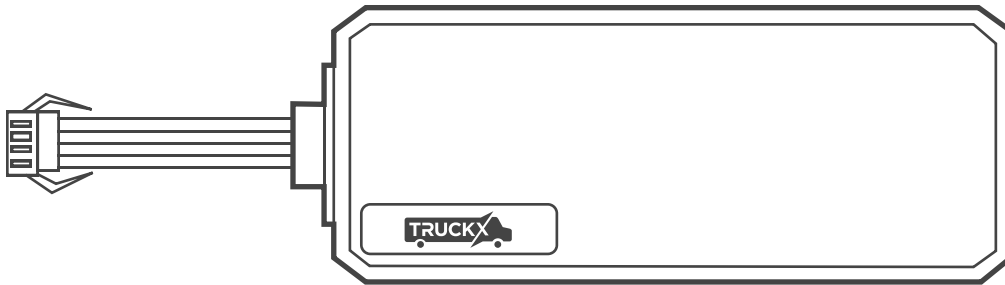


Model:TRX-WAT1

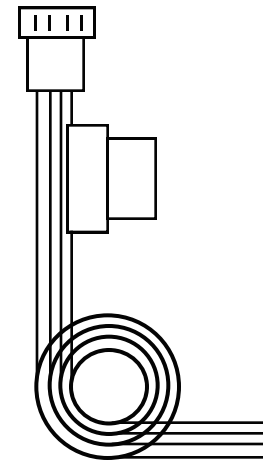
TruckX Wired Asset Tracker

Assembly Instruction

What's included:



Wired Aseet Tracker
1x

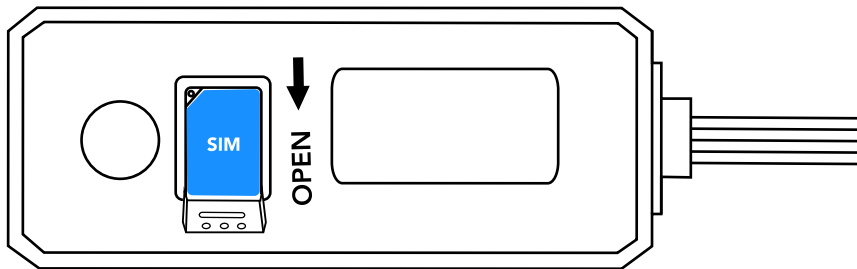
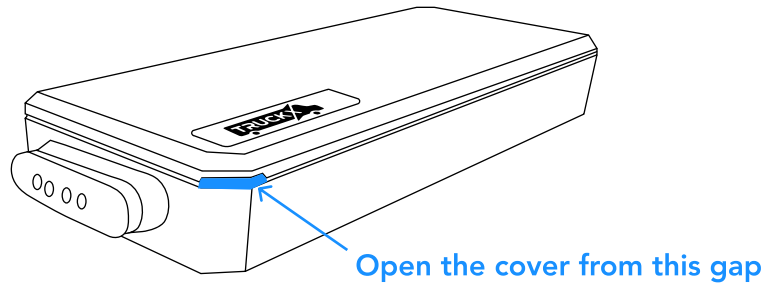


Power Cable
1x

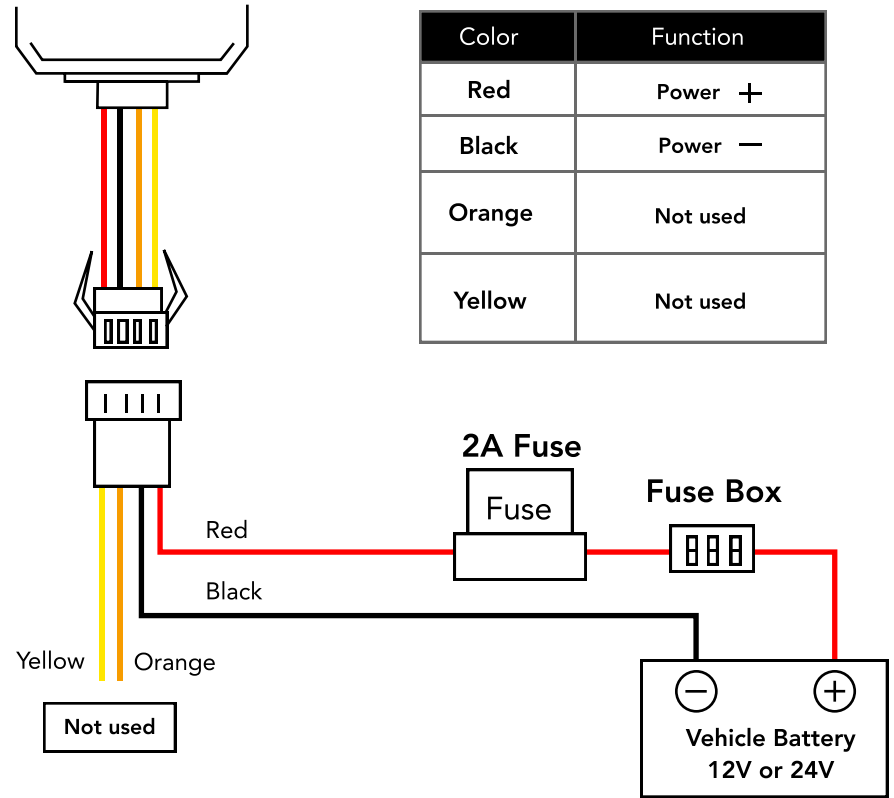
Need Help?

Contact TruckX support at support@truckx.com,
[+1\(650\) 600-0008](tel:+16506000008), and live chat at www.TruckX.com

1 Open the back cover, insert the SIM card, and turn the power switch to ON position



2 Plug into your power source





Need Help?

Contact TruckX support at support@truckx.com,
[+1\(650\) 600-0008](tel:+16506000008), and live chat at www.TruckX.com